

Apacer

The Most **Reliable**
Storage For Industries

PV130-M242



PV130-M242

Overview

Apacer PV130-M242 (M.2 2242) is the next generation modularized Solid State Drive (SSD) with the shape of all new M.2 form factor, aimed to be the more suitable for mobile and compact computers with standard width at only 22.00 mm. PV130-M242 appears in M.2 2242 mechanical dimensions and is believed to be the leading add-in storage solution for future host computing systems.

The M.2 SSD is designed with PCIe-based connector pinouts, providing full compliance with the latest PCIe Gen3 x2 interface specifications. Aside from PCIe compliance, PV130-M242 delivers exceptional performance and power efficiency. On the other hand, the extreme thin and light form factor makes PV130-M242 the ideal choice for mobile computing systems, which appears to be the trend in near future.

Regarding reliability, PV130-M242 is built with a powerful PCIe controller that supports on-the-module ECC as well as efficient wear leveling scheme. In terms of power efficiency, PV130-M242 is compliant with PCIe Gen3 x2 interface standard so that it can operate on power management modes, which greatly save on power consumption.



Feature

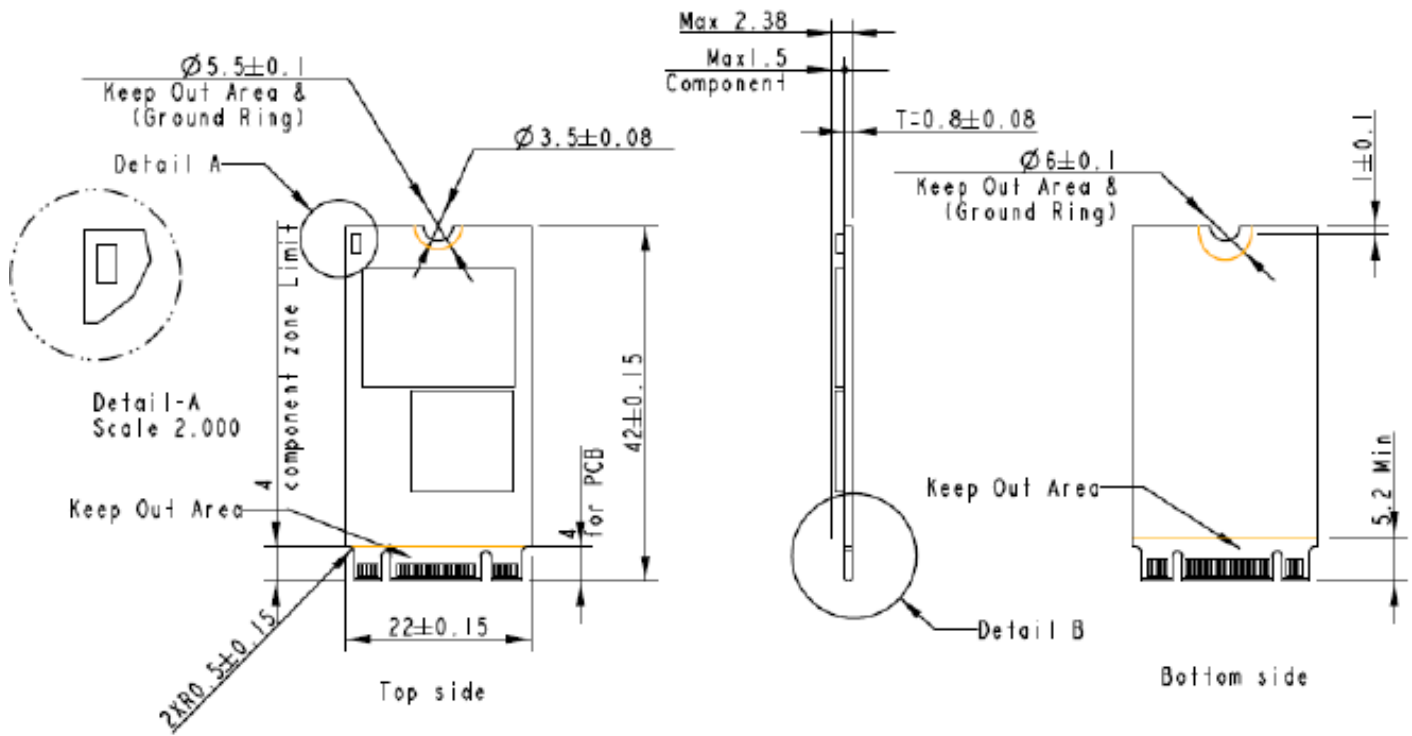
- Low-Density Parity-Check (LDPC) Code
- Global Wear Leveling
- Flash bad-block management
- Flash Translation Layer: Page Mapping
- S.M.A.R.T.
- TRIM
- Hyper Cache Technology
- Over-Provisioning
- DataRAID™
- HMB

Specifications

Model	PV130-M242
Interface	PCIe Gen3 x2
Connector	M.2 B & M key
Form Factor	– M.2 2242-S3-B-M: 60GB – M.2 2242-D5-B-M: 120-480GB
NAND Flash Type	3D TLC
Capacity	60GB-480GB
External DRAM	No
Sustained Read Performance (MB/sec)	Up to 1600
Sustained Write Performance (MB/sec)	Up to 1000
ECC Engine	Low-Density Parity-Check (LDPC) Code
IOPS (4K Random Write)	180K
Standard Operating Temperature (°C)	0 ~ + 70
Storage Temperature (°C)	-40 ~ + 100
Thermal Sensor	Yes
Shock	Operation: 50G, 11ms Non-operation: 1500G, 0.5ms
Vibration	Operation: 7.69 Grms, 20~2000 Hz/random (compliant with MIL-STD-810G) Non-operation: 4.02 Grms, 15 ~ 2000 Hz/sine (compliant with MIL-STD-810G)
Operating Voltage	3.3V ±5%
Power Consumption	Active mode: 785 mA / Idle mode: 135 mA
Dimension (L x W x H)	Single side: 80.00 x 22.00 x 2.38, unit: mm Double side: 80.00 x 22.00 x 3.88, unit: mm
MTBF (hours)	>1,000,000

Mechanical Specification

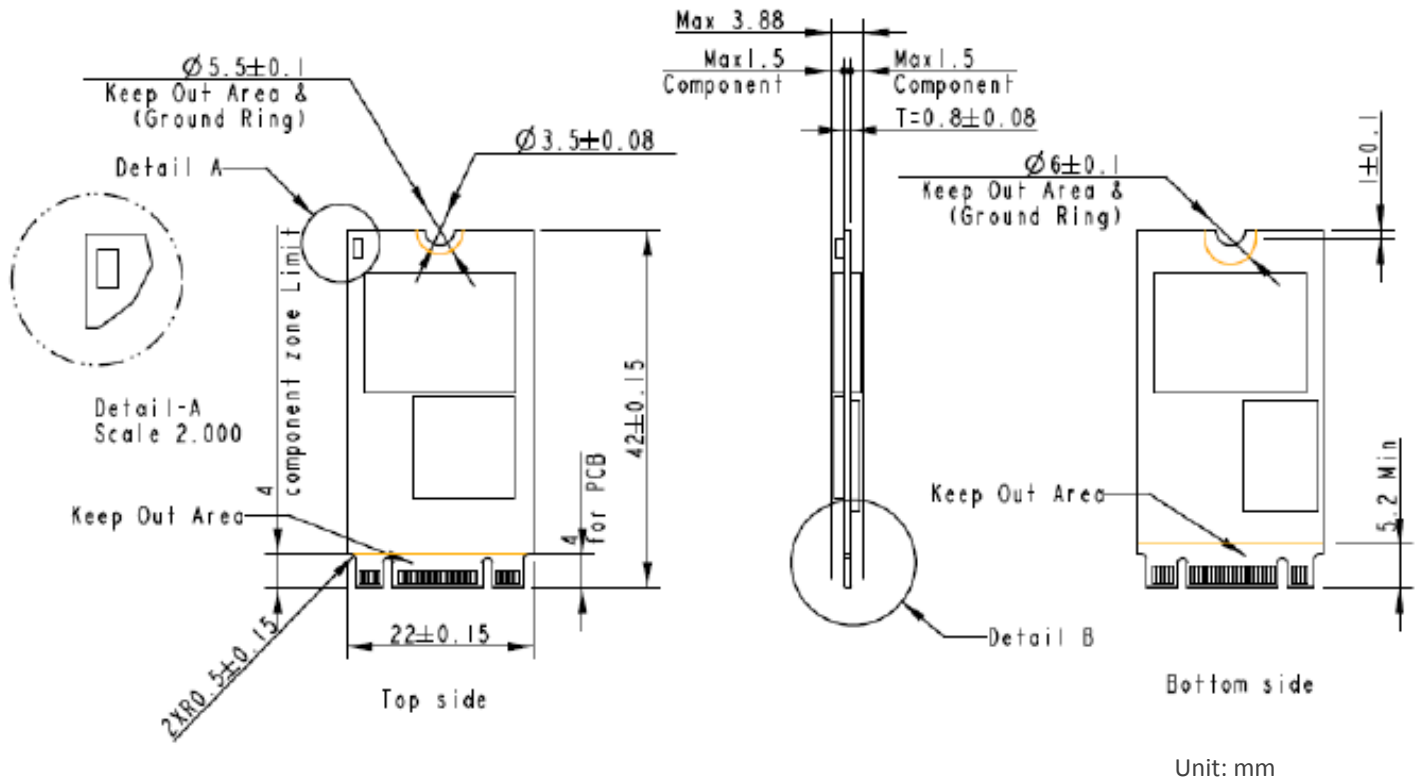
Single Side



Unit: mm

Mechanical Specification

Double Side



For more information,
contact your Apacer representative

Global Presence

Taiwan (Headquarters)
Apacer Technology Inc.
Tel: +886-2-2267-8000
Fax: +886-2-2267-2261

Europe
Apacer Technology B.V.
Tel: +31-40-267-0000
Fax: +31-40-290-0686

U.S.A.
Apacer Memory America, Inc.
Tel: +1-408-518-8699
Fax: 1-510-249-9551

China
Apacer Electronic(Shanghai)
Co., Ltd.
Tel: +86-21-6228-9939

Japan
Apacer Technology Corp.
Tel: +81-3-5419-2668
Fax: +81-3-5419-0018

India
Apacer Technologies Pvt. Ltd.
Tel: +91-80-41529061~3
Fax: +91-80-41700215