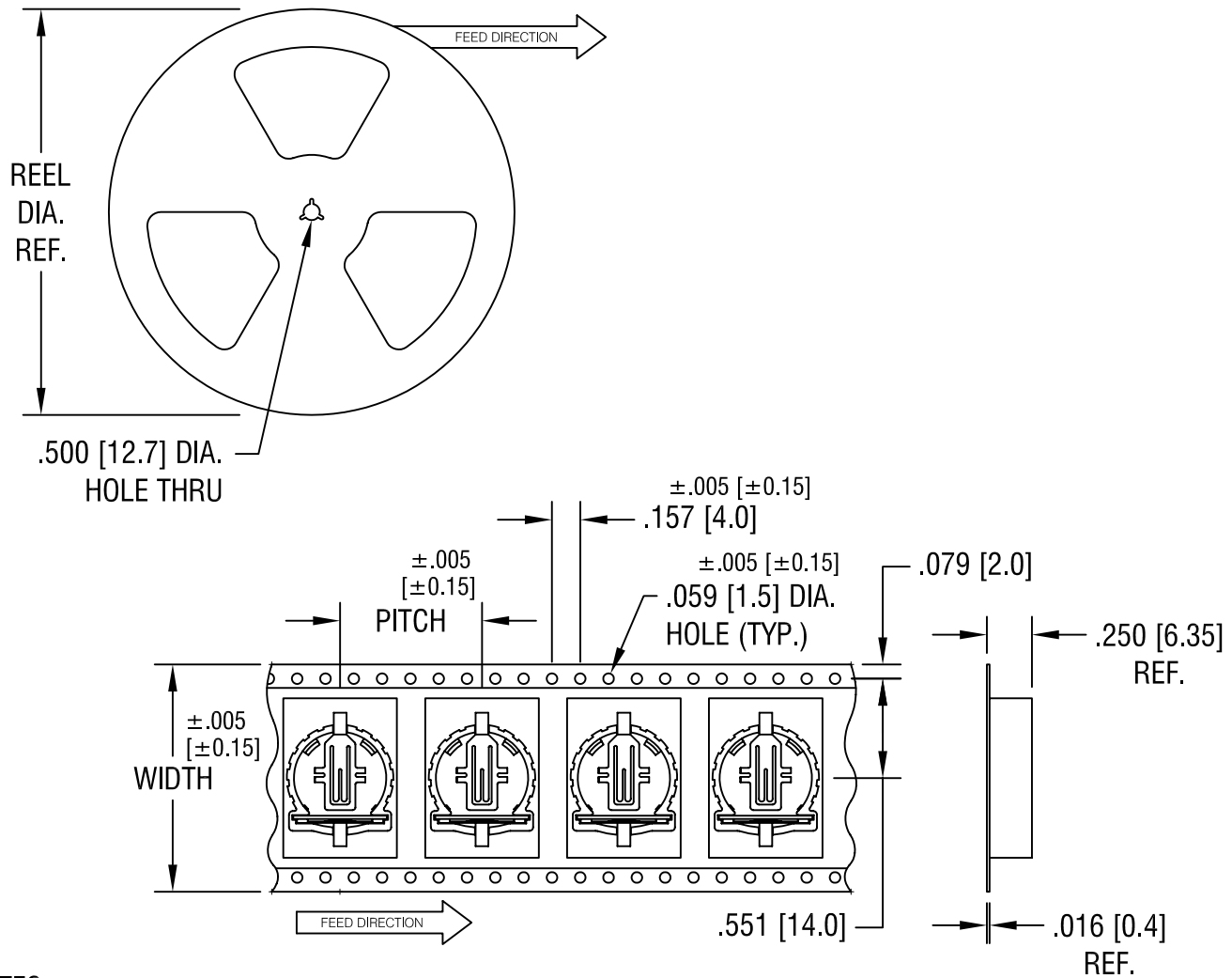


THIS DOCUMENT IS THE PROPERTY OF KEYSTONE ELECTRONICS CORP. AND SHALL NOT BE REPRODUCED, DISTRIBUTED OR USED AS A BASIS FOR MANUFACTURE WITHOUT PRIOR WRITTEN PERMISSION FROM KEYSTONE ELECTRONICS CORP.



NOTES:

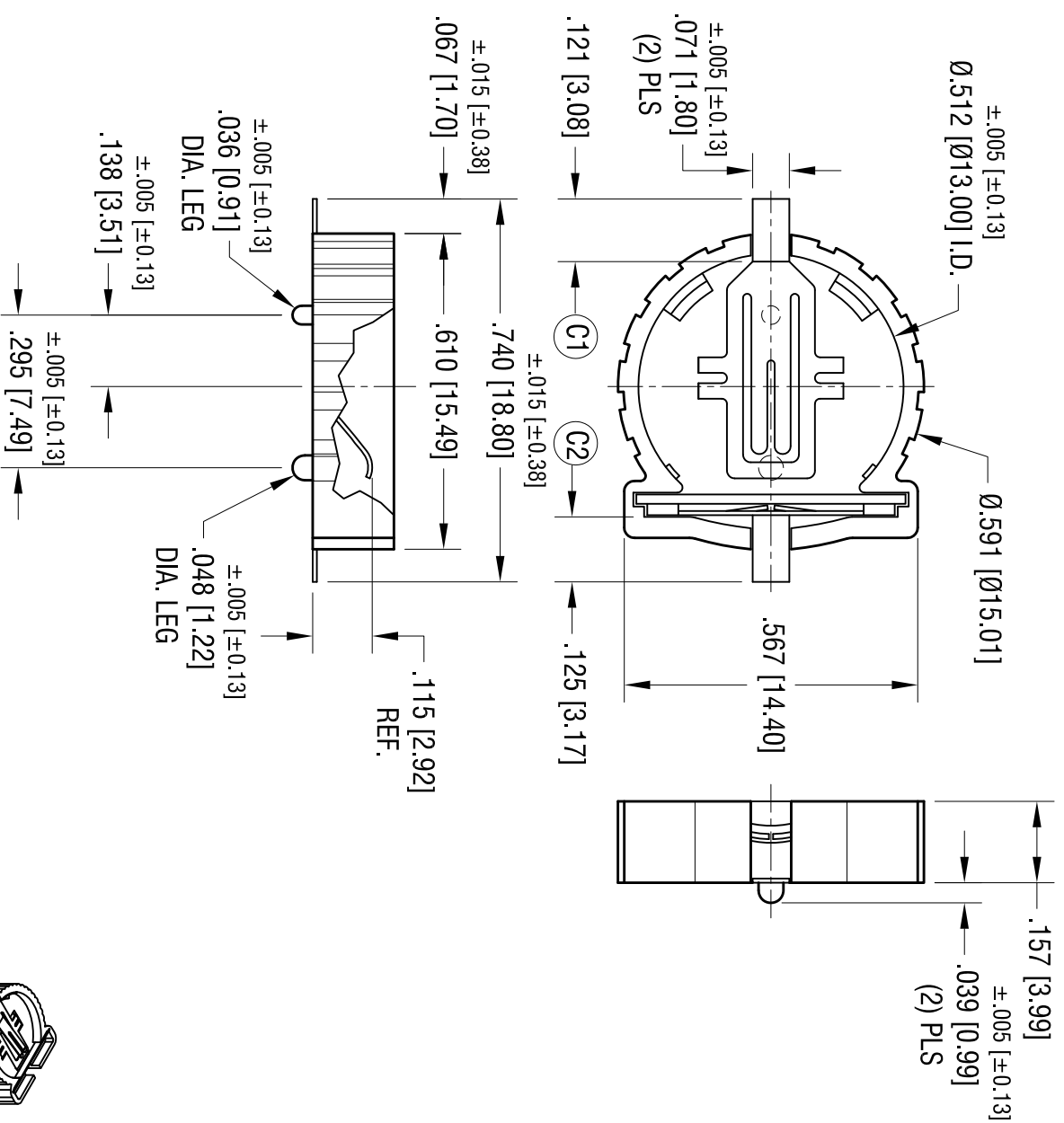
TAPE AND REEL SPECIFICATIONS:

1. TAPE:
 MAT'L - ALL CONDUCTIVE POLYSTYRENE CARRIER
 ANSI/EIA-481 STANDARD
 1.260 [32.0] WIDE; .787 [20.0] PITCH
2. REEL:
 13.0 [330.2] DIA. 500 PIECES OF
 PART NO. 1056 PER REEL.

KEYSTONE ELECTRONICS CORP.			
ASTORIA, N.Y. 11105-2017			
PART NAME 1220mm SM COIN CELL HOLDER ON TAPE			
MATERIAL AS NOTED			
FINISH AS NOTED		DRN BY BOONE	DATE 6.18.07
		APP'D LN	SCALE X
TOLERANCES	INCH [MM]	CODE	DWG NO.
DECIMAL	± .015 [± 0.38]	C/M	1056TR
ANGULAR	± 1°		
UNLESS OTHERWISE SPECIFIED			

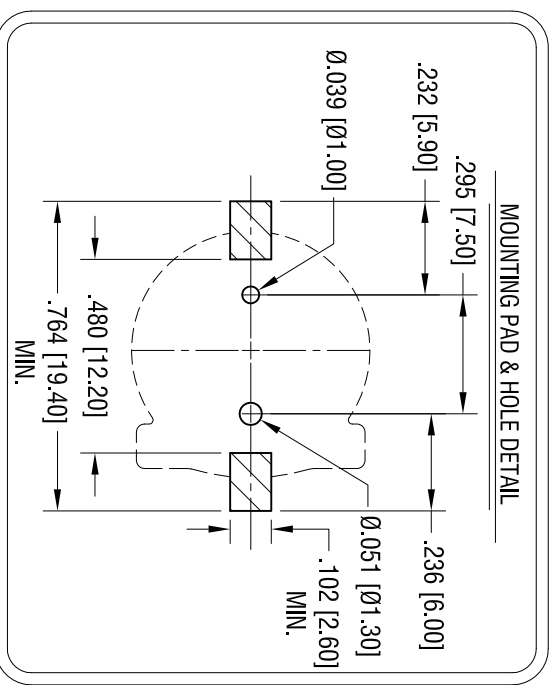
DATE	DESCRIPTION	REV.

DATE	DESCRIPTION	REV.
12.08.08	CHANGE AS PER ECN 08-188	A
3.09.16	CHANGE AS PER ECN 16-037 UPDATE MTC DETAIL	B
12.22.17	CHANGE AS PER ECN 17-083 ADD DIMENSIONS (C1), (C2)	C
9.16.20	CHANGE AS PER ECN 20-081	D



ACTUAL SIZE

THIS DOCUMENT IS THE PROPERTY OF KEYSTONE ELECTRONICS CORP. AND SHALL NOT BE REPRODUCED, DISTRIBUTED OR USED AS A BASIS FOR MANUFACTURE WITHOUT PRIOR WRITTEN PERMISSION FROM KEYSTONE ELECTRONICS CORP.



KEYSTONE ELECTRONICS CORP.

www.keystec.com • NEW HYDE PARK, NY 11040 • Tel: (516) 328-7500

PART NAME

1220 BATTERY HOLDER, SMT

MATERIAL

AS NOTED

FINISH

AS NOTED

TOLERANCES	INCH	[MM]	CODE	DWG. NO.
DECIMAL	± .010	[± 0.25]	C	1056
ANGULAR	± 1°			

DRN BY	DATE
NT	6.15.05

APP'D	SCALE
RH	3X

- NOTES:
1. BASE:
MAT'L - GLASS FILLED PPS UL 94V-0
 2. CONTACTS:
MAT'L - .008 [0.20] THK PHOSPHOR BRONZE
FINISH - GOLD FLASH , OVER NICKEL PLATE